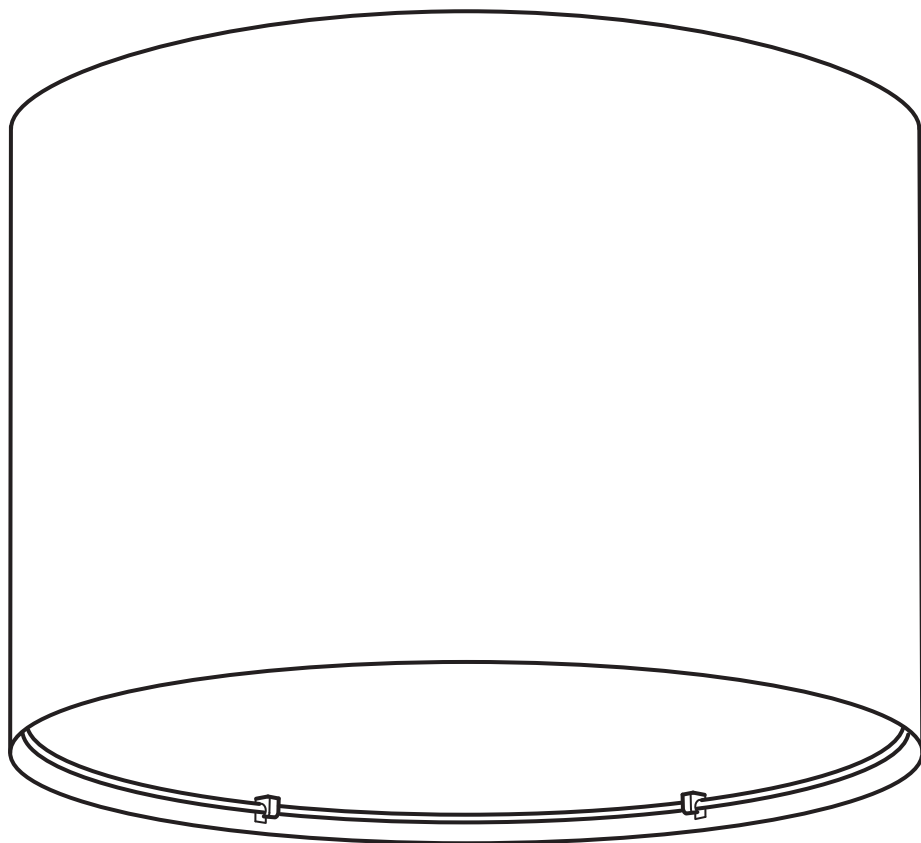
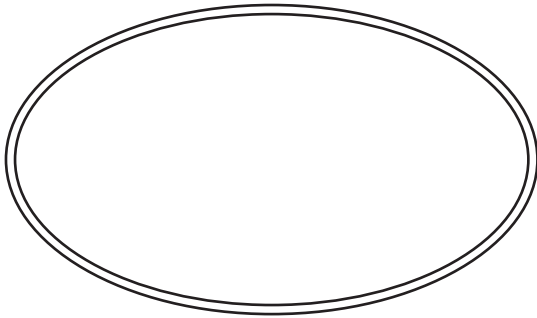
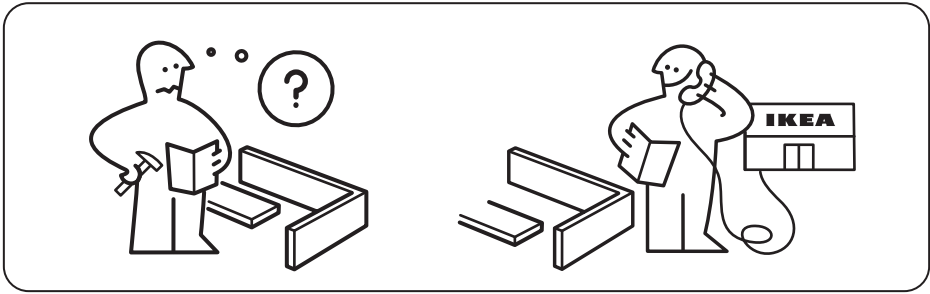


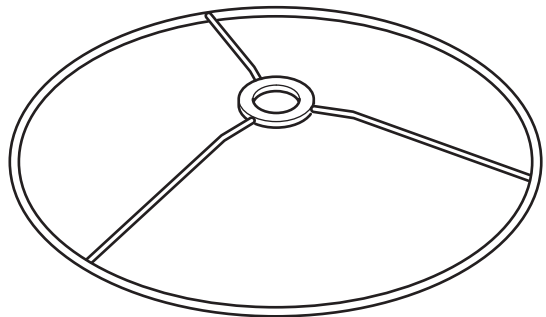
RINGSTA



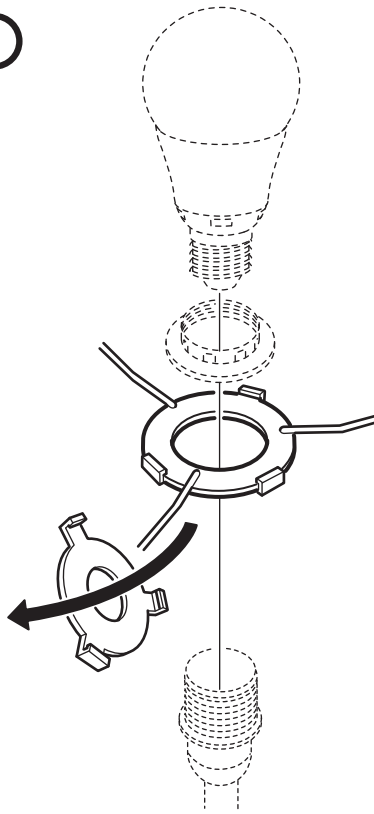
Design and Quality
IKEA of Sweden



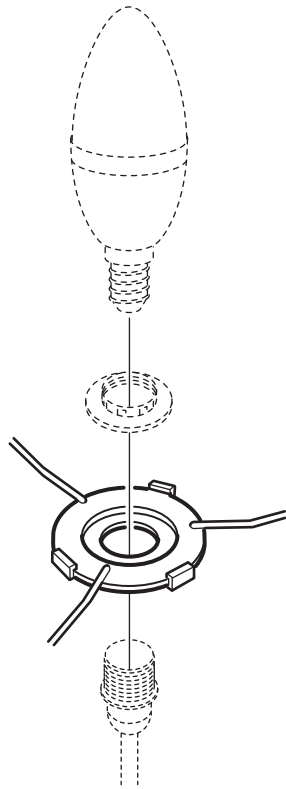
1x



1x

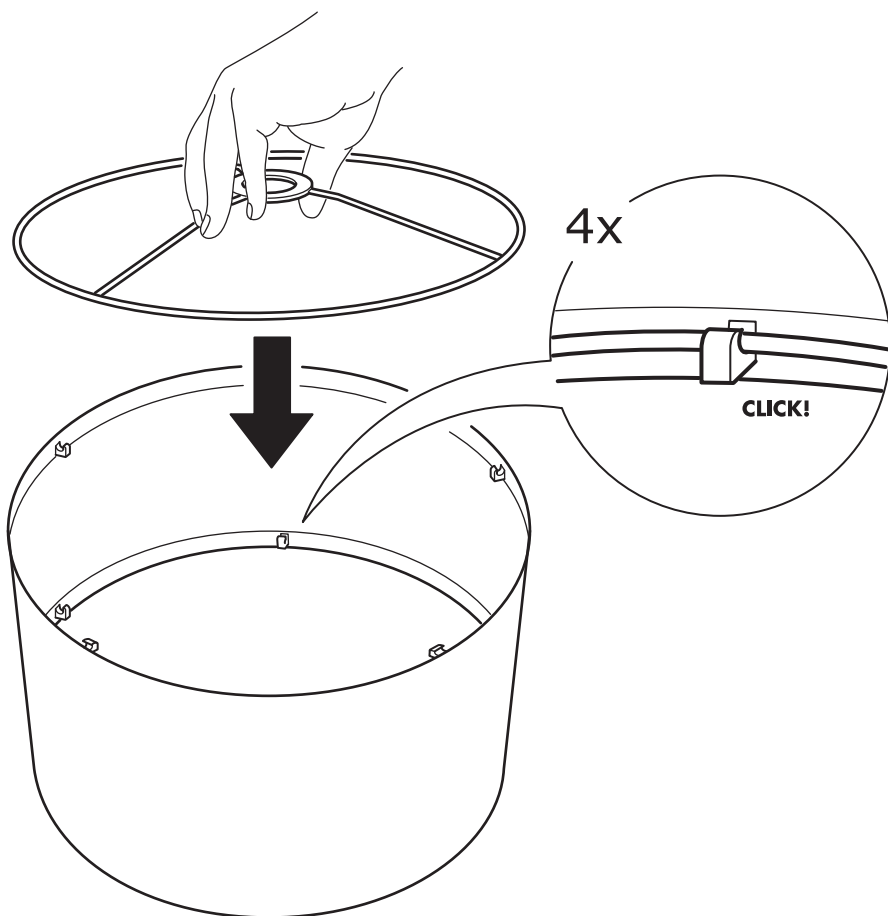
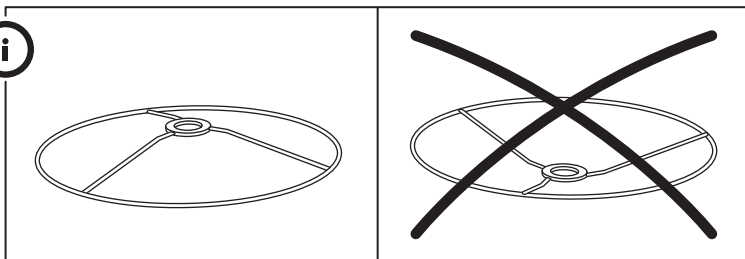


E26/E27

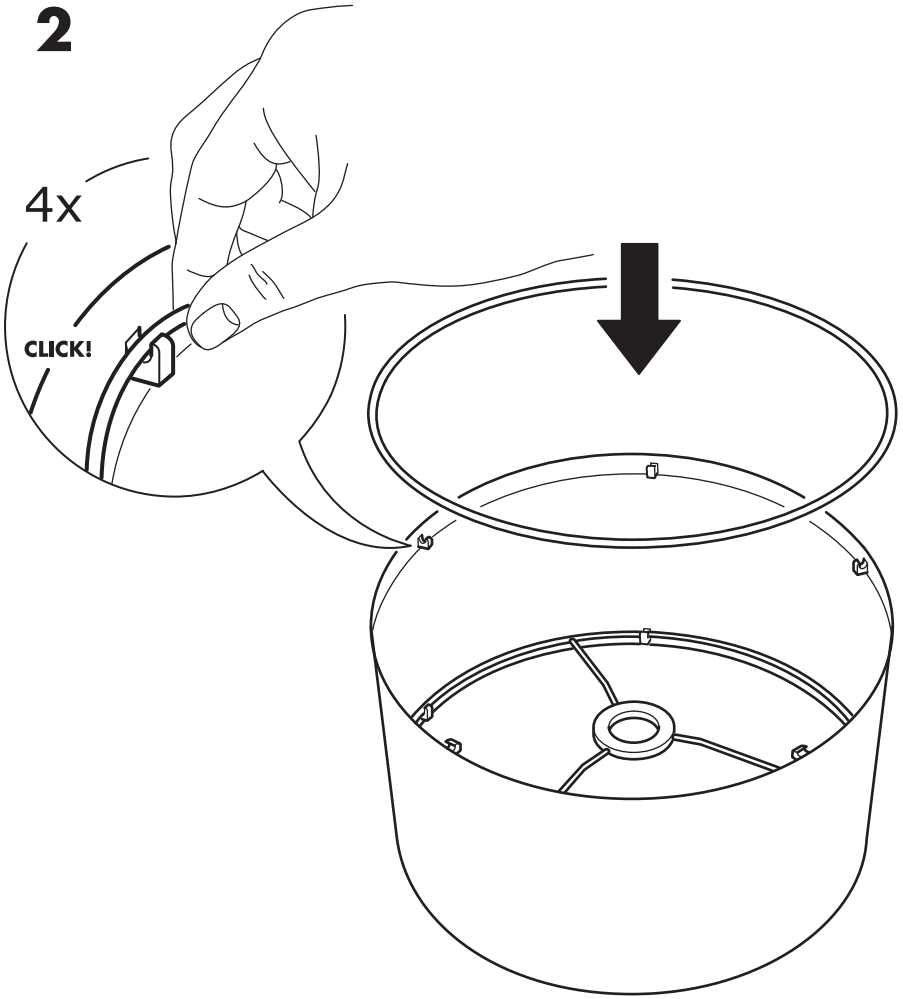


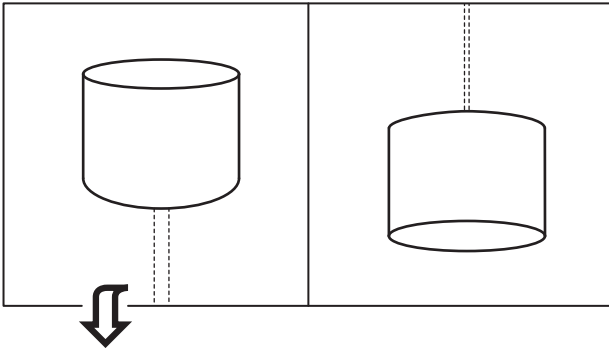
E12/E14

1

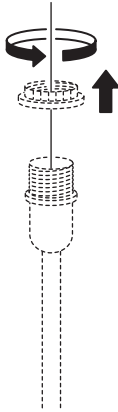


2

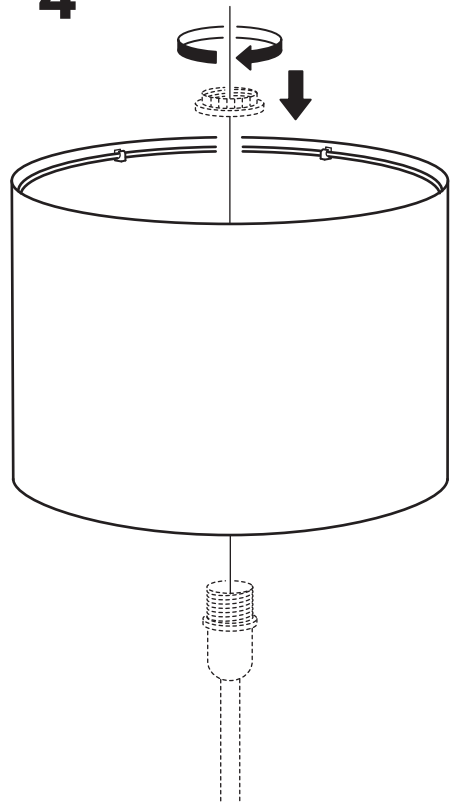


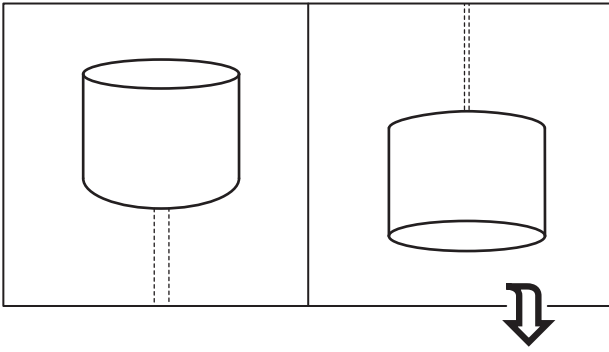


3

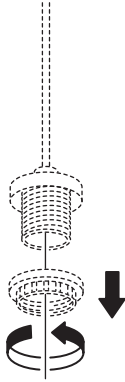


4





3



4

