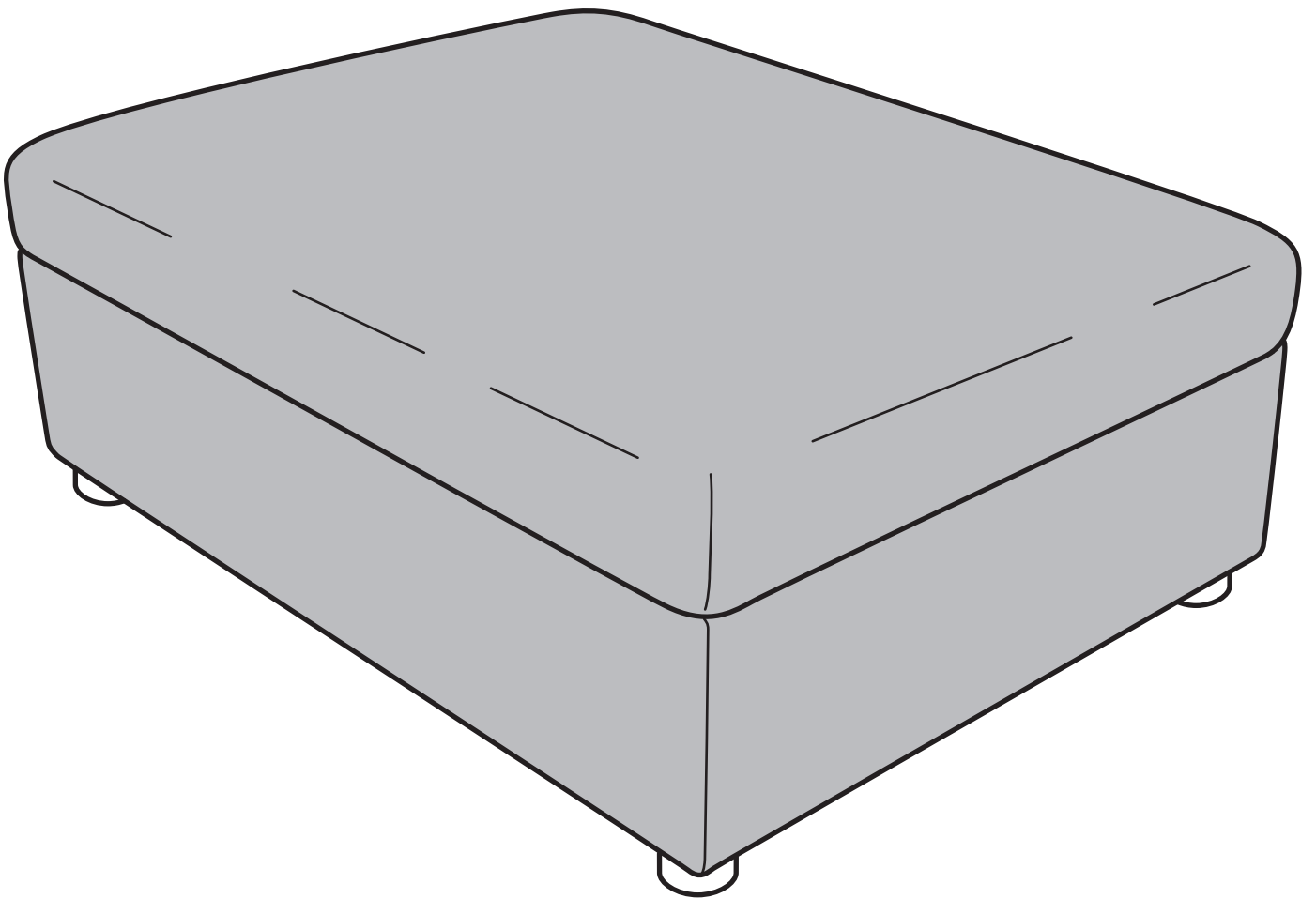
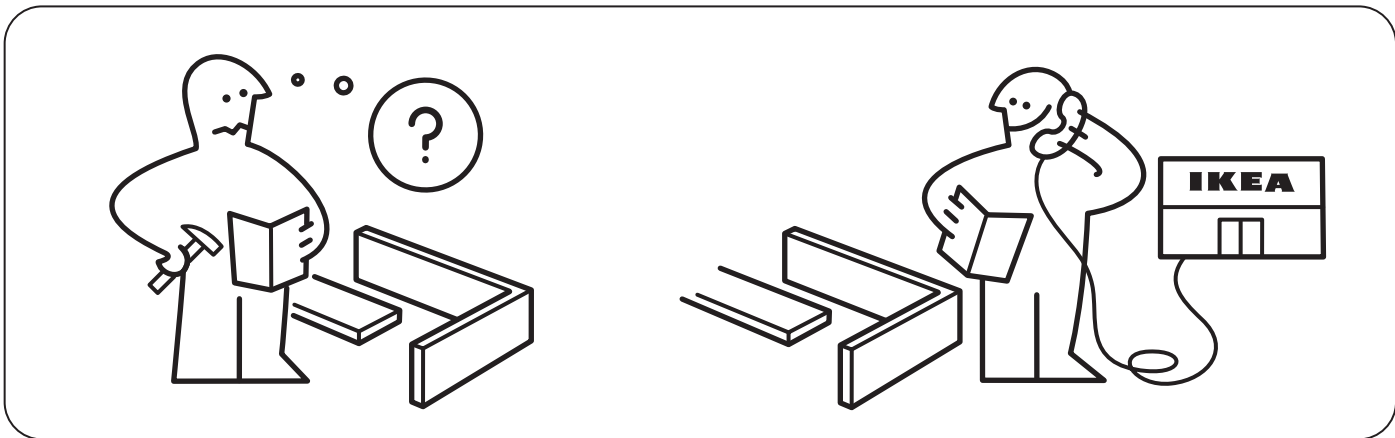
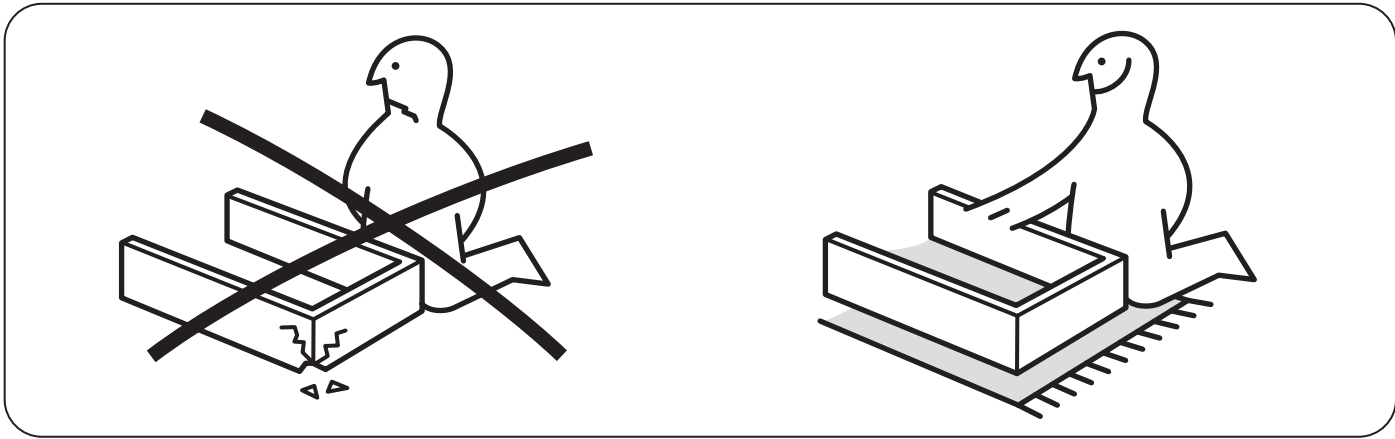
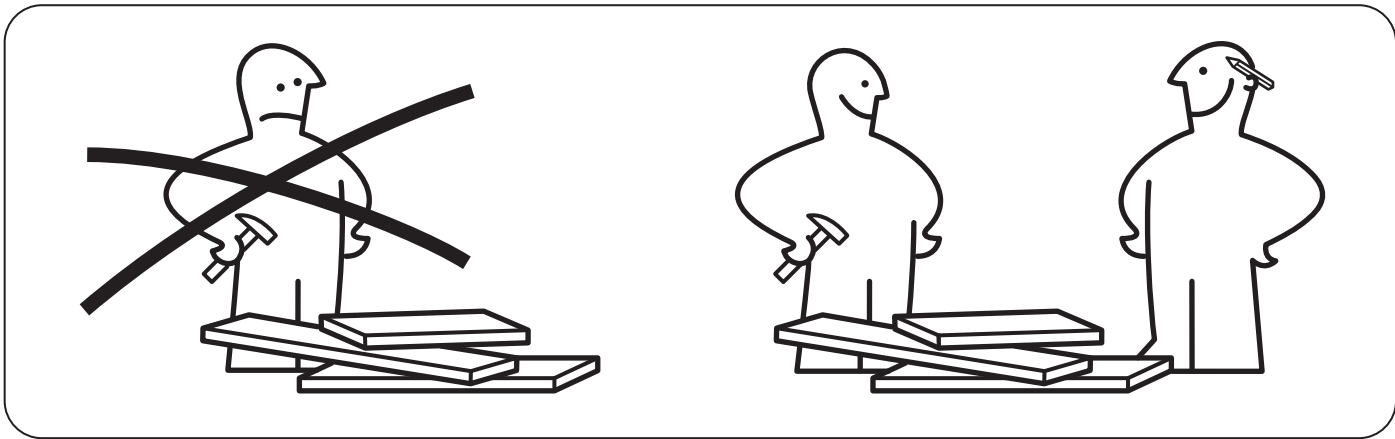
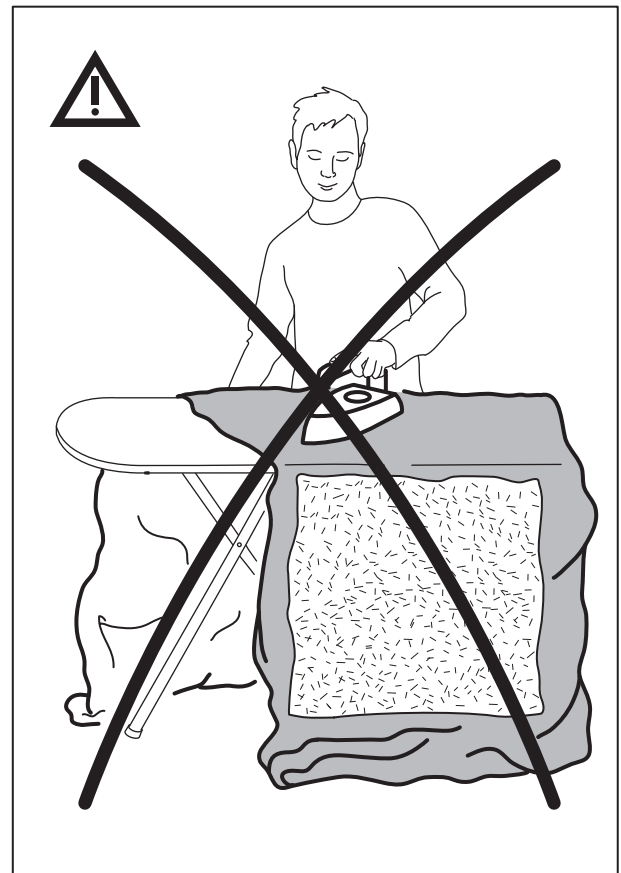
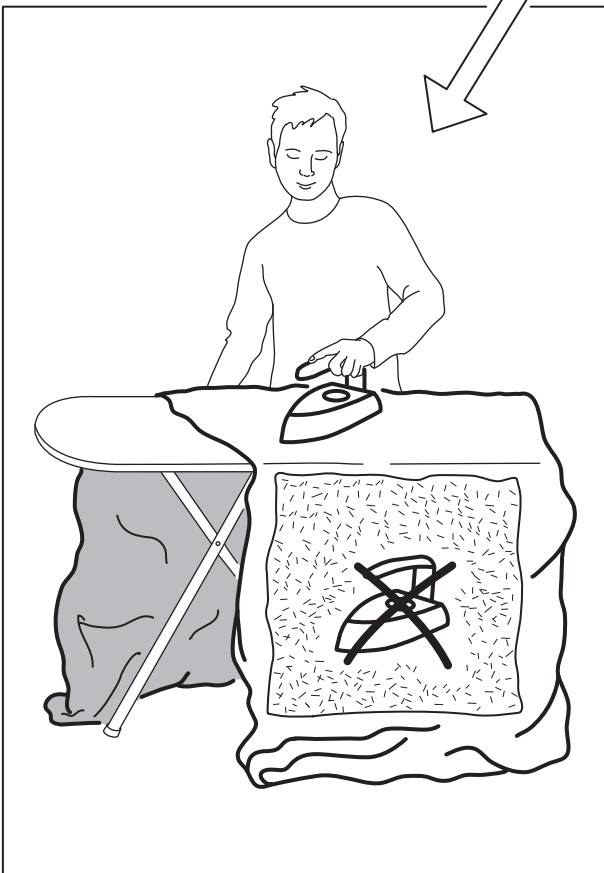
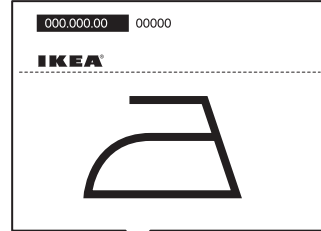
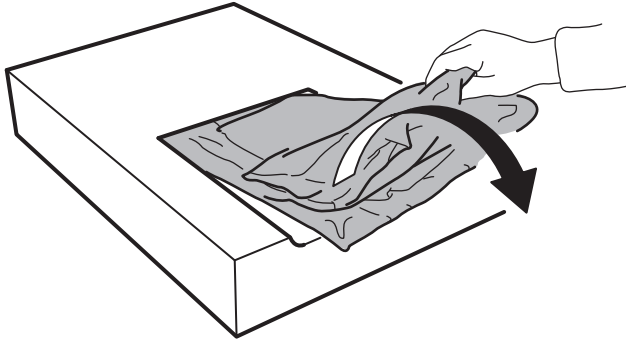


# VIMLE ②

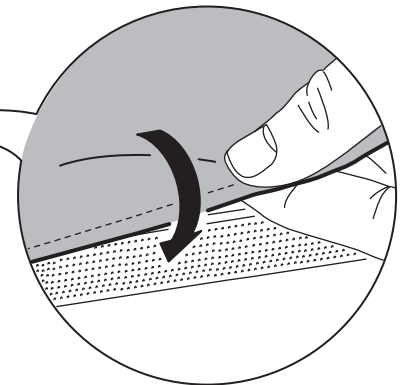
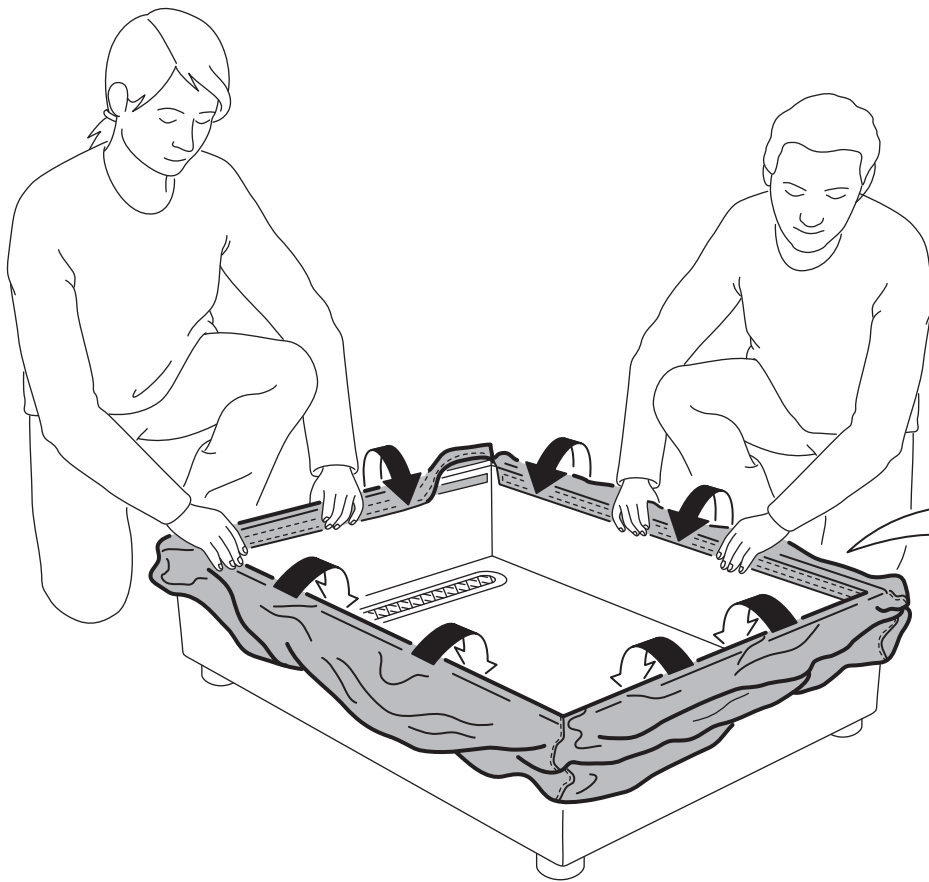
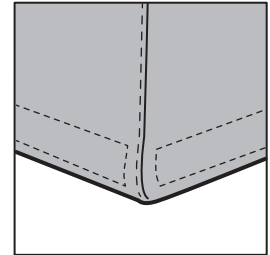
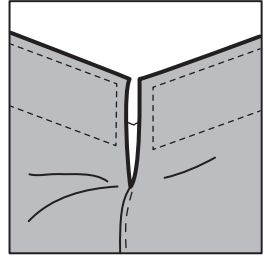
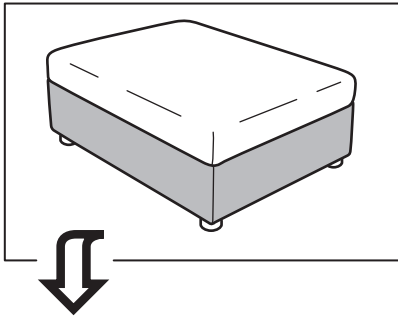


Design and Quality  
IKEA of Sweden

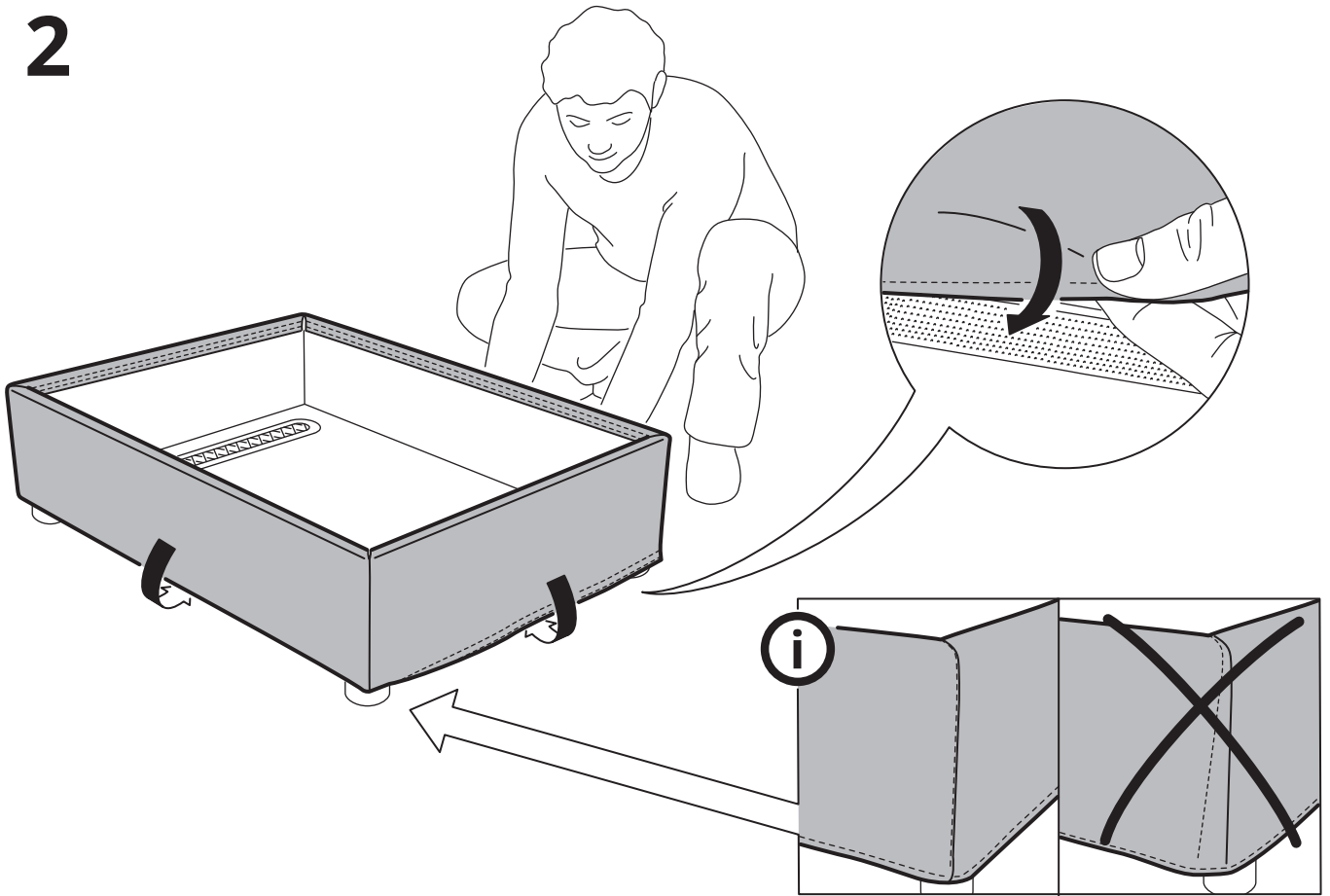




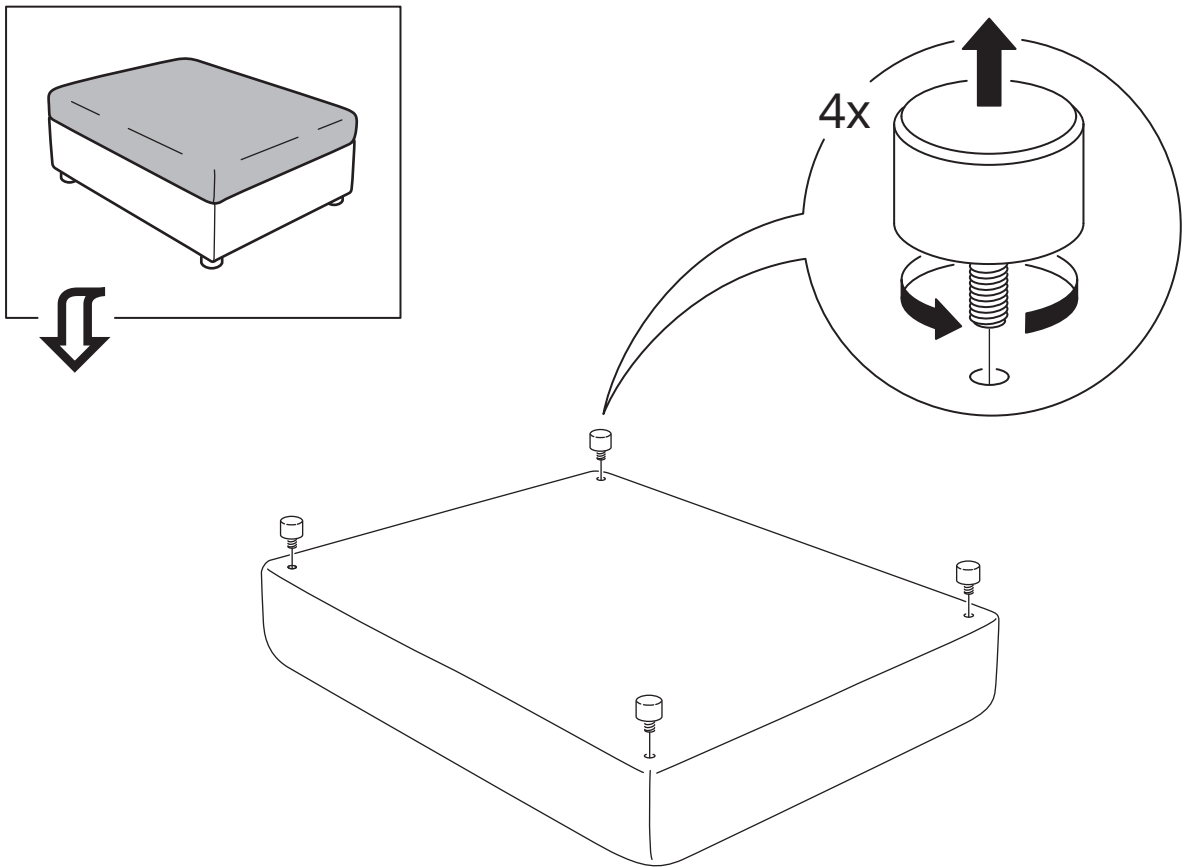
1



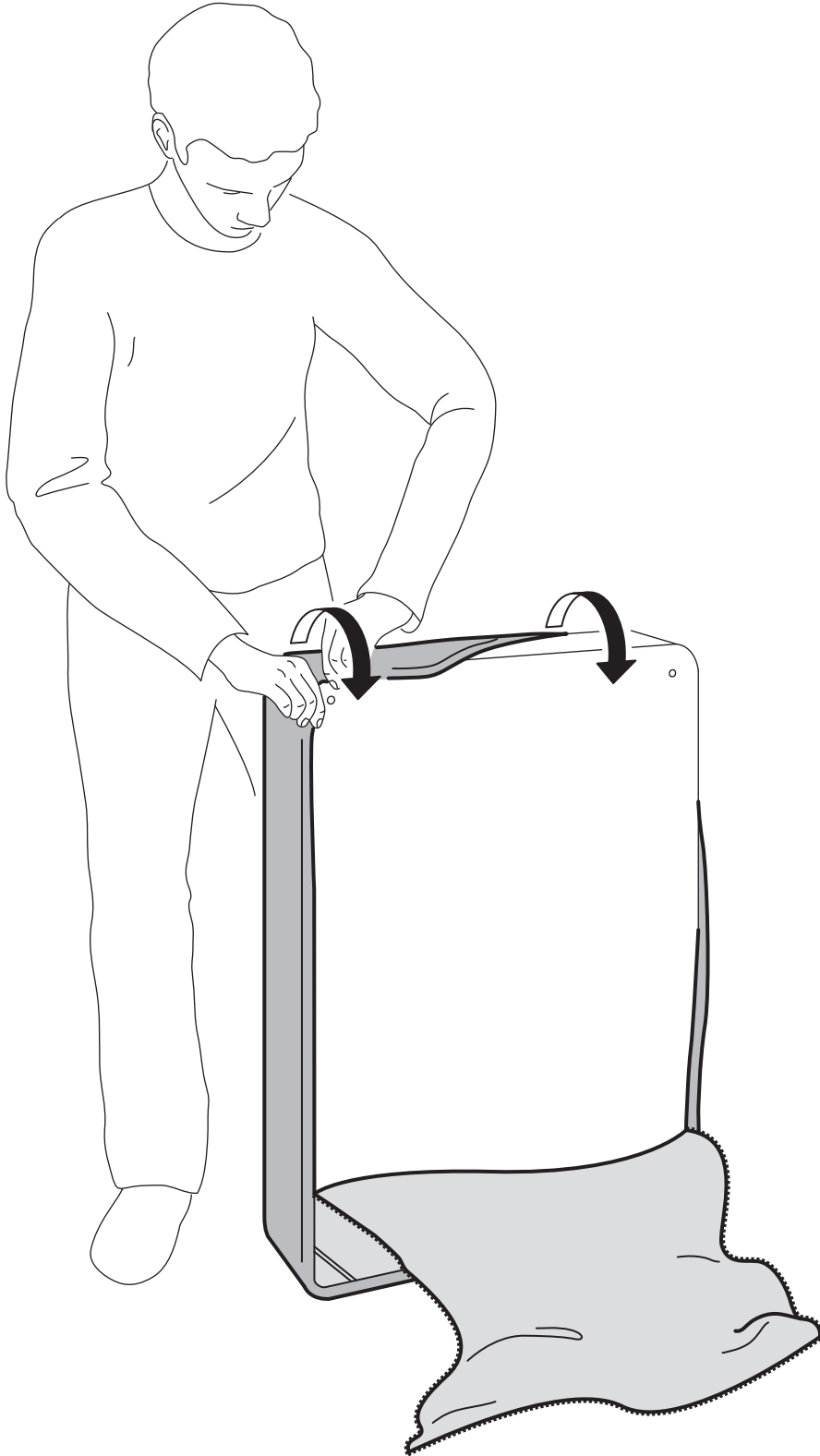
2



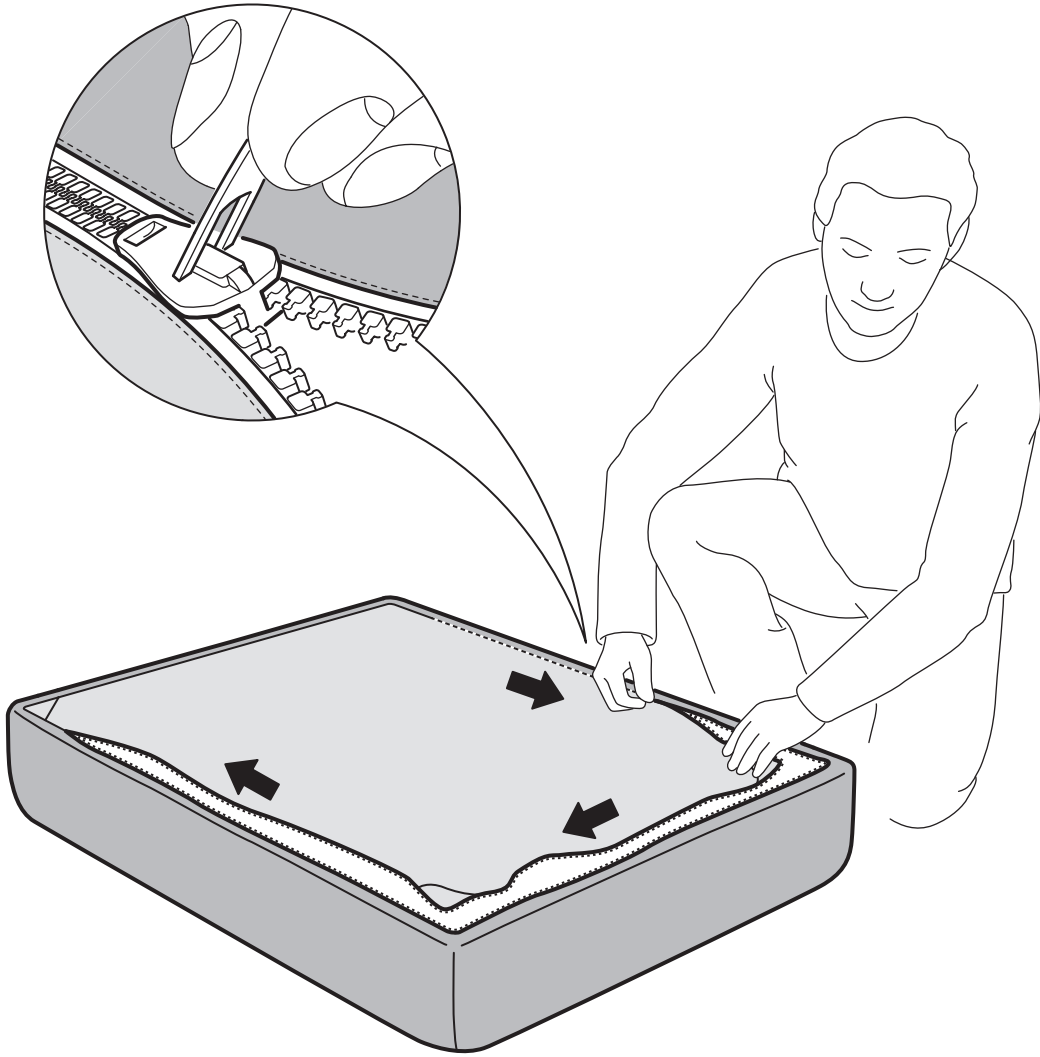
3



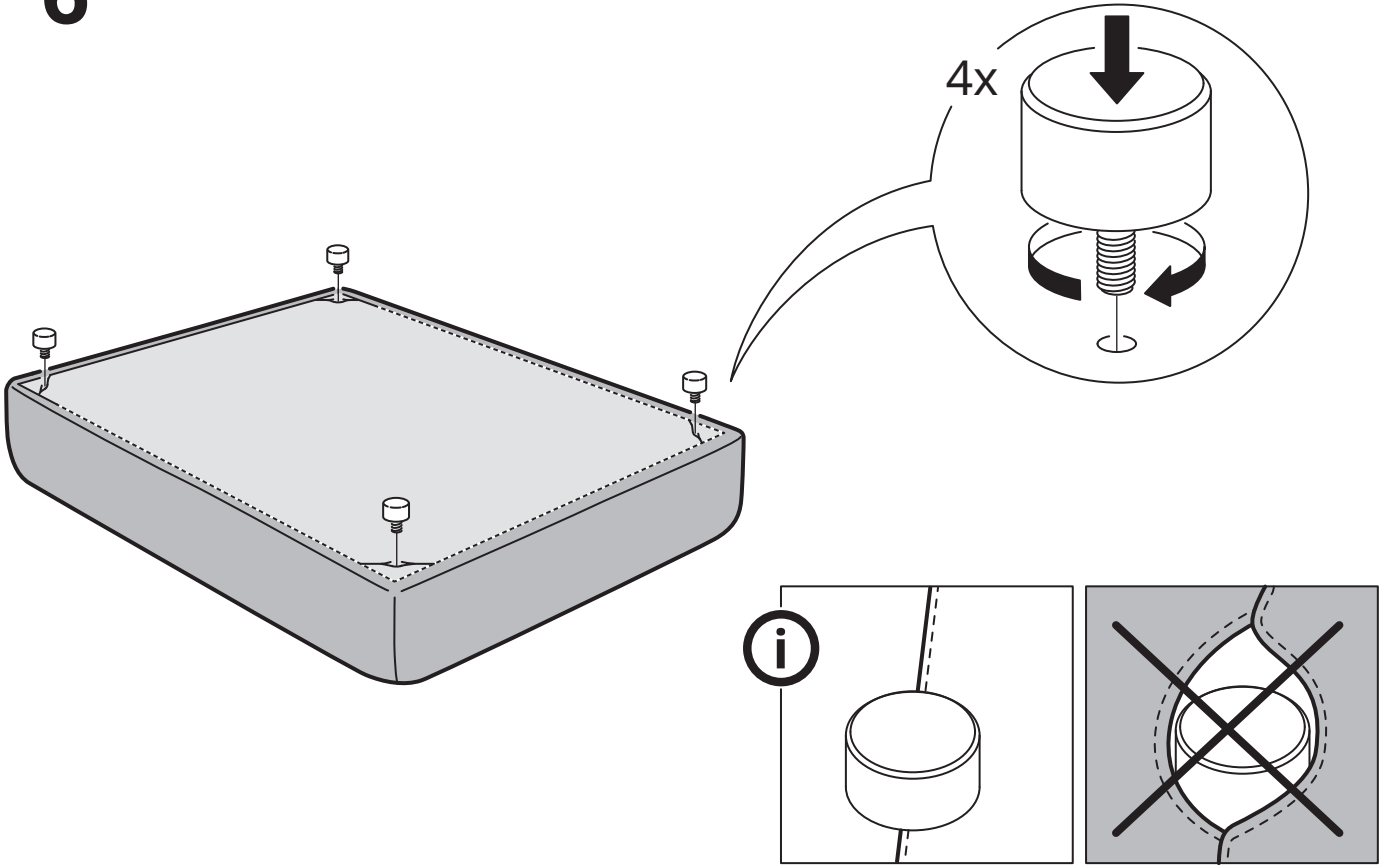
4



5



6



7

