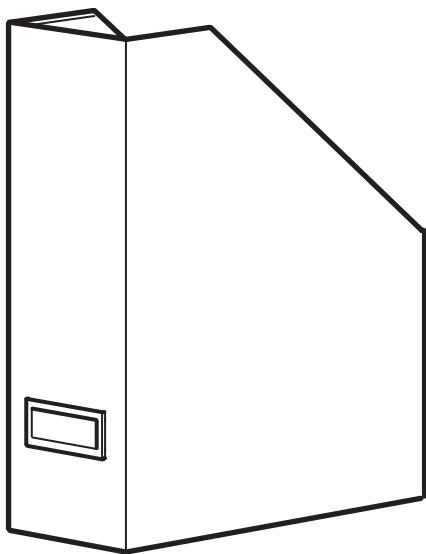
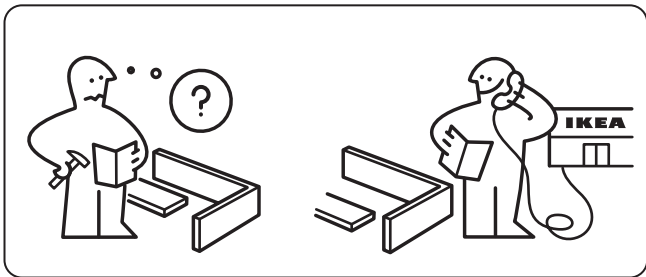


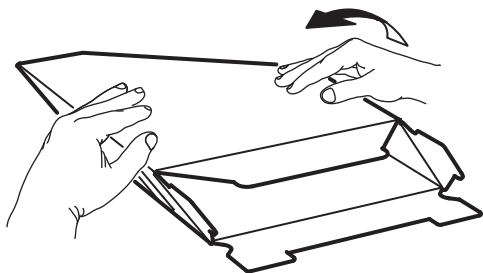
# PALLRA



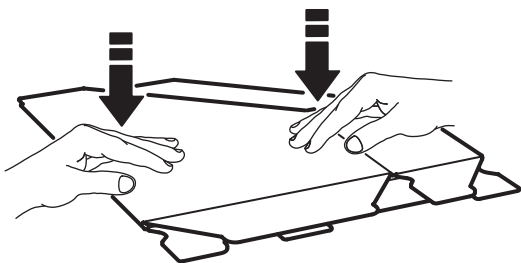
Design and Quality  
IKEA of Sweden



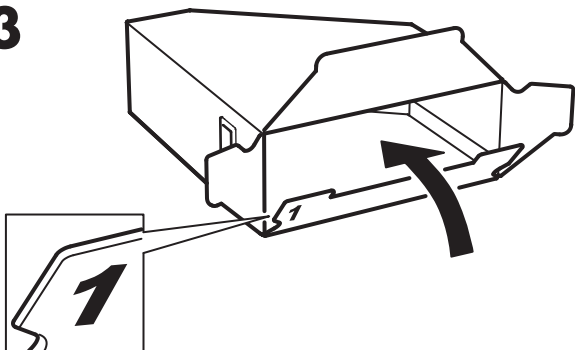
**1**



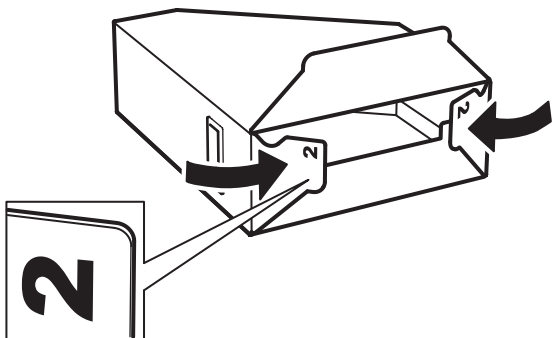
**2**



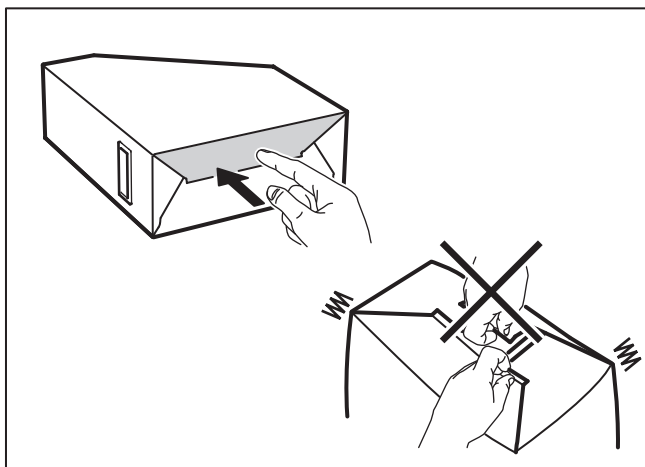
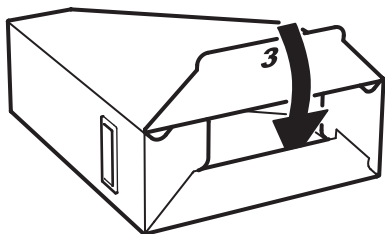
**3**



**4**



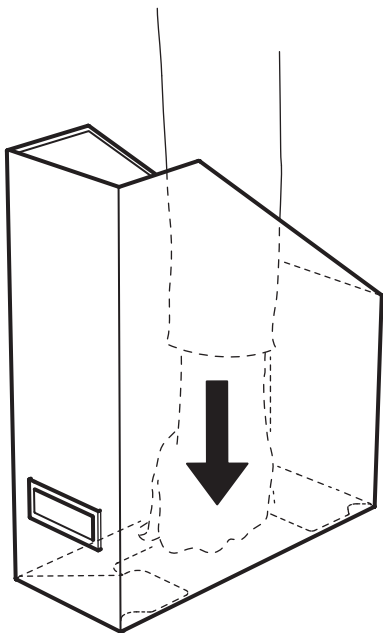
5



4

AA-2180619-1

**6**



7

